

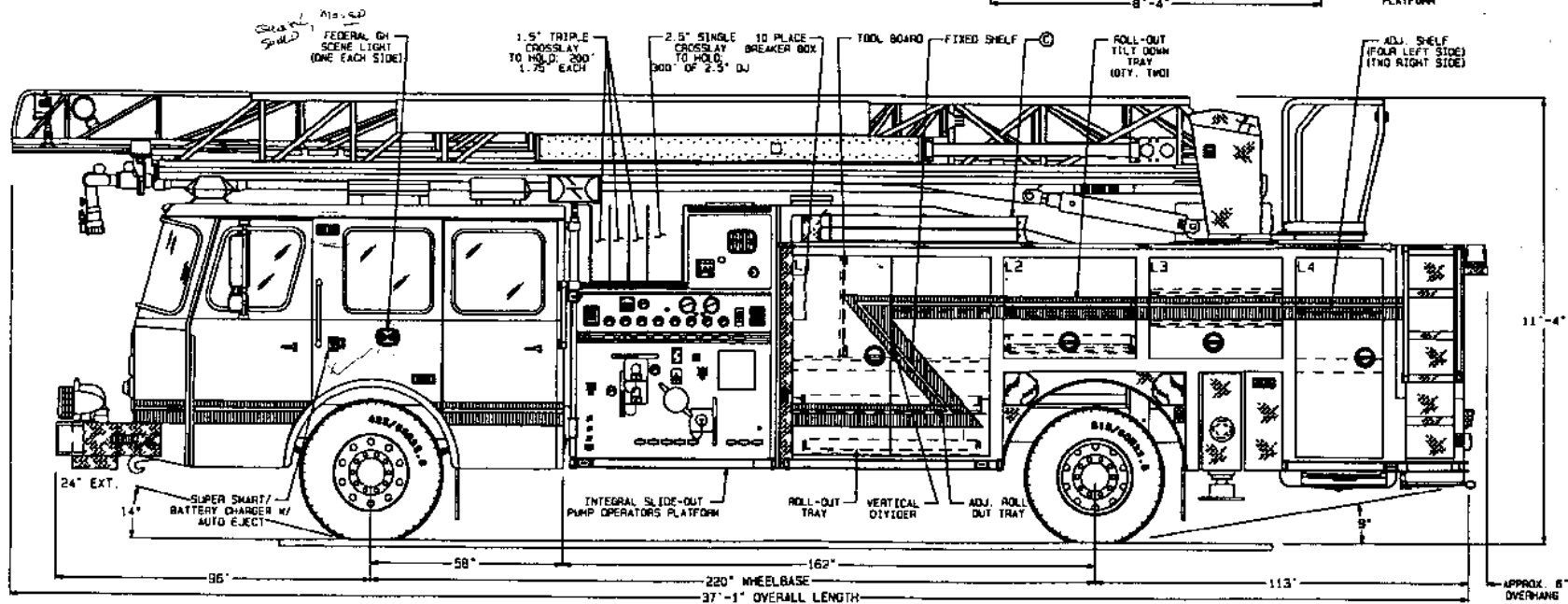
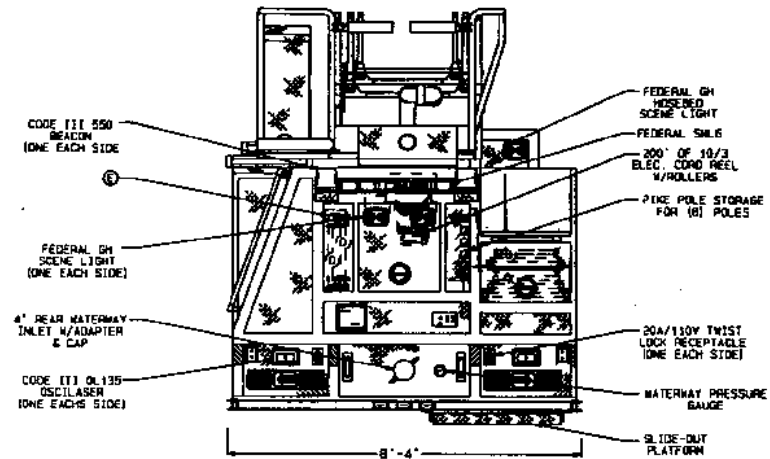


LIMESTONE FPD
LIMESTONE, IL
 SO. 123193
 G067 AERIAL BODY
 N576 CYCLONE II CHASSIS
 G375 HP75 AERIAL LADDER

COMPT.	OPENING	INTERIOR DIMENSION
L1	60W 61H	50W 26H 24D 50W 26H 26D
R1	60W 26H	60W 26H 26D
L2/L3	40W 31H	40W 35H 24D
R2	47W 26H	45W 26H 26D
L4	26W 61H	26W 59H 24D UPPER 26W 59H 26D LOWER

THIS DRAWING IS FOR REFERENCE PURPOSES. ALL DIMENSIONS ARE SUBJECT TO MINOR VARIATIONS DUE TO MANUFACTURING PROCESSES.

GROUND LADDERS			
ITEM	LADDER LENGTH	MODEL NUMBER	QTY.
A	35' 3-SECT.	PEL3-35	1
B	24' 2-SECT.	PEL-24	1
C	LITTLE GIANT	MODEL 17	1
D	16' ROOF	PRL-16	2
E	10' FOLDING	FL-10	1





LIMESTONE FPD
LIMESTONE, IL
 SO. 123193
 G067 AERIAL BODY
 N578 CYCLONE II CHASSIS
 G373 HP75 AERIAL LADDER

